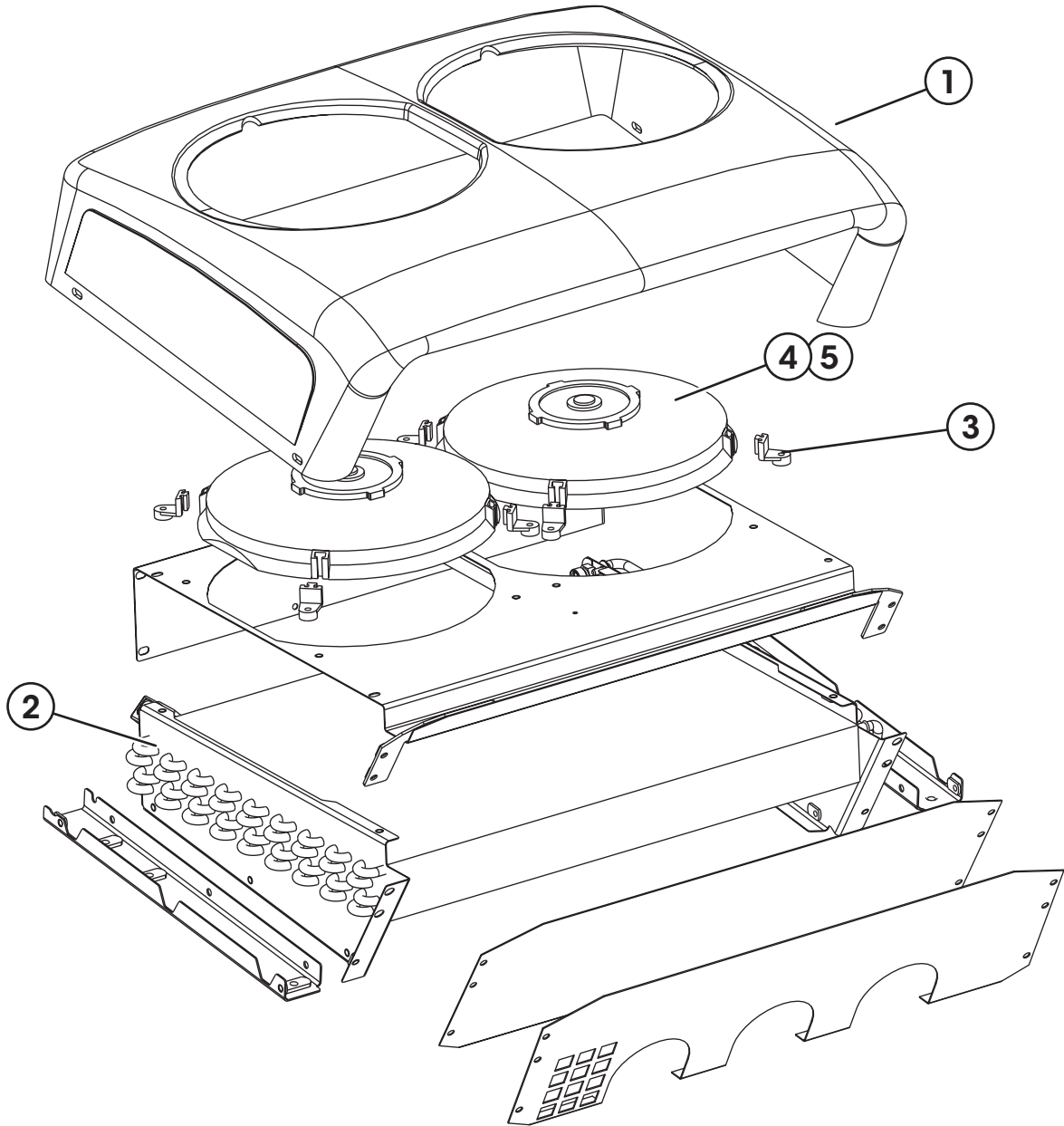


Rooftop Condenser Model R-6260-1

SERVICE PARTS LIST



ITEM	NOTE	PART NO.	DESCRIPTION	CAT. NO.
1		RD-4-5121-0P	Cover	
2		RD-4-5122-0P	Condenser Assembly	77R0630
3	A	RD-5-7232-0P	Relay- 12v Metri Pack with Diode	71R1912
4		RD-5-8627-5P	Fan/Motor Assembly 12v	73R8612

ITEM	NOTE	PART NO.	DESCRIPTION	CAT. NO.
5		RD-5-8627-6P	Fan/Motor Assembly 24v	73R8614
6	A	RD-5-7233-0P	Relay- 24v Metri Pack with Diode	71R1914
7	A	RD-4-5271-0P	Wire Harness Assembly 12v	
8	A	RD-4-5271-1P	Wire Harness Assembly 24v	

NOTES: A=Not Shown

RED DOT CORPORATION

P.O.Box 58270 Seattle, WA 98138 (206) 575-3840 AMCustomerService@RedDotCorp.com

RD-3-9168-0 (REV D) Sheet 1 of 2

FOR REFERENCE ONLY. SUBJECT TO CHANGE WITHOUT NOTICE